




# DevopsDays Berlin 2016



**Chef & Ansible**

# Romain



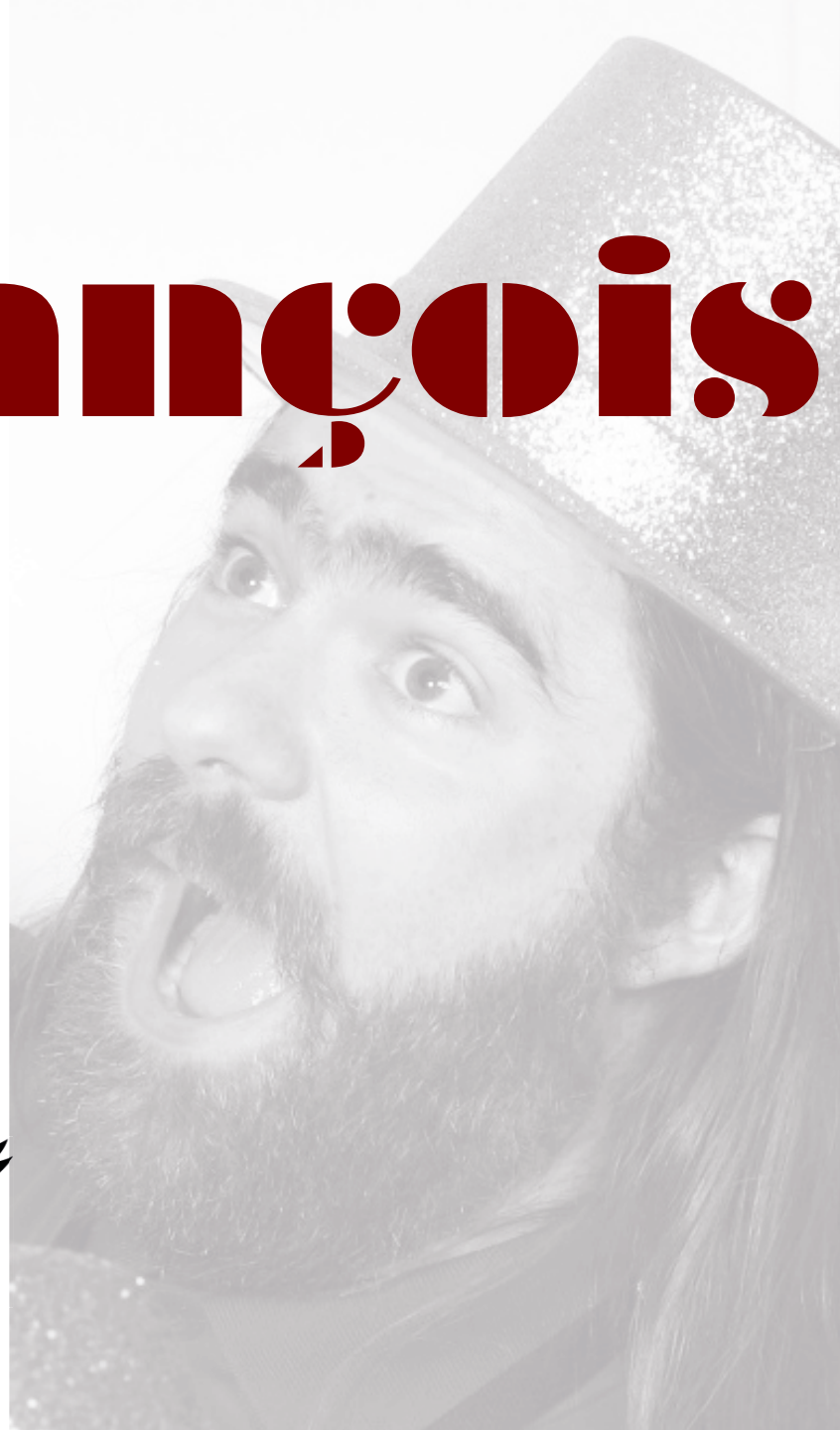
@rpelisse







# François



@francoisledroff







**Demo Mode**



# Open





**No Trolling ?**

# Deep Dive





# A Web server



- Motd
  - Customized Motd
- Http server
  - Nginx
    - Customized doc root
    - Reverser proxy
    - SSL offloading
    - HTTP query validation
- A REST micro service
  - Powered by Java
  - Security Manager
- All of that part of a CD pipeline
- Elastic and Dynamic configuration



# Let's do it



# Job done ?



- Motd
  - Customized Motd
- Http server
  - Nginx
    - Customized doc root
    - Reverser proxy
    - SSL offloading
    - HTTP query validation
- A REST micro service
  - Powered by Java
  - Security Manager
- All of that part of a CD pipeline
- Elastic and Dynamic configuration

## The Code is on github

<https://github.com/francoisledroff/devopsdayberlin2016>

<https://github.com/francoisledroff/devopsdayBerlin2016JavaApp>

The slide will be on slidehare at

<http://www.slideshare.net/francoisledroff>



# Questions ?

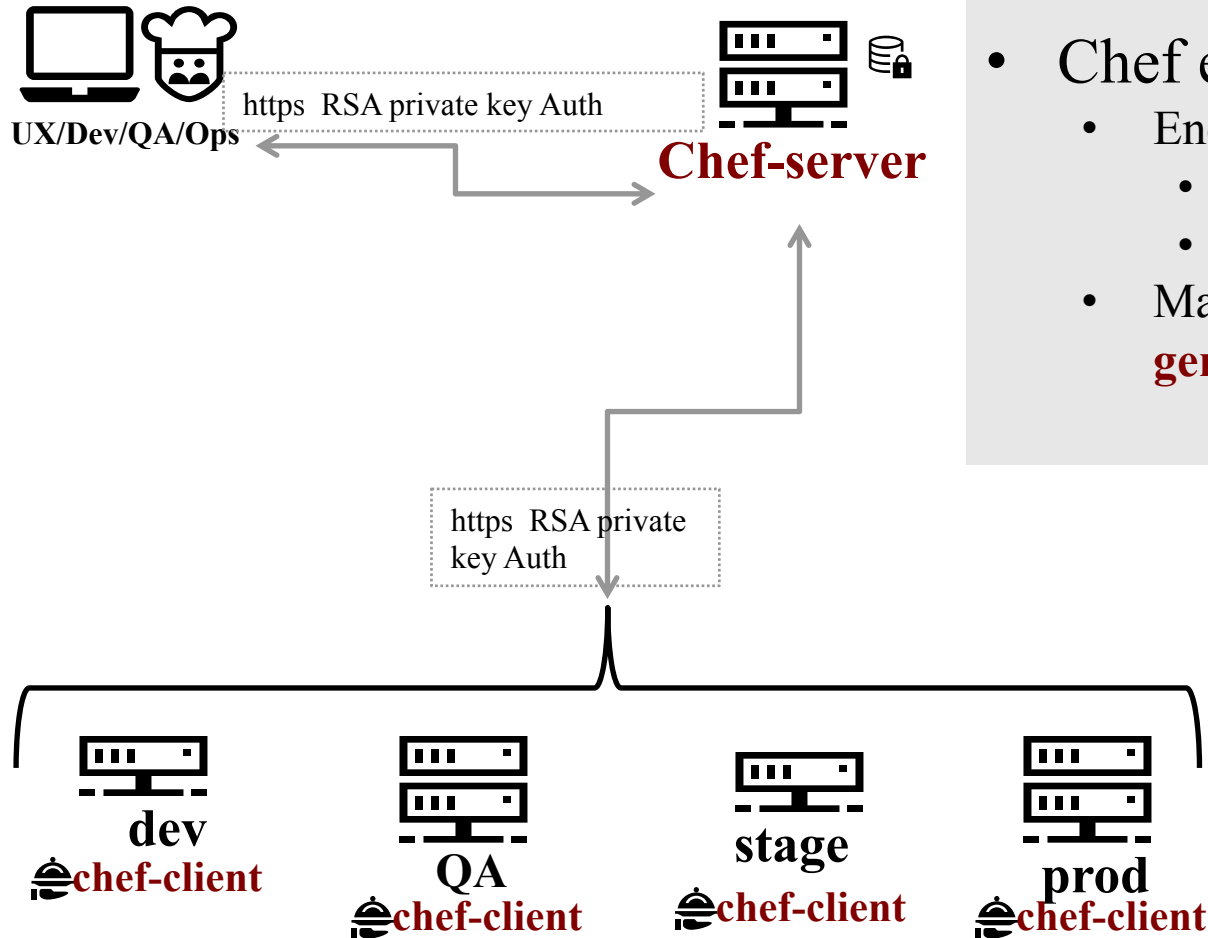


# More ?





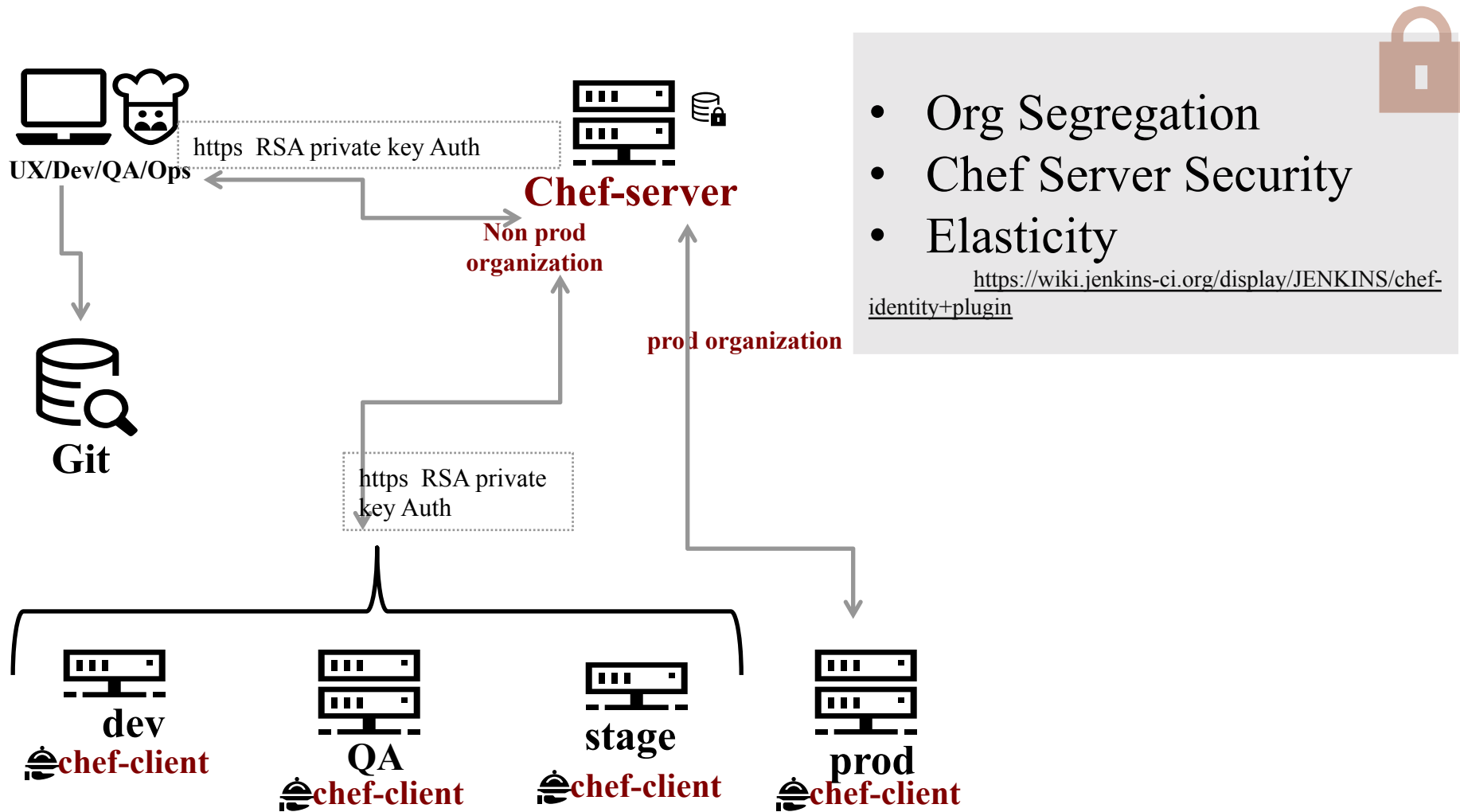
# Chef-vault



- Chef encrypted data bags
  - Encrypted for
    - admin users
    - whitelisted nodes
  - Managed by **chef-vault ruby gem**



# Chef-vault





# Secure Dependency

